



Introduction to CAD

Orlando Science Schools

FRC Kick Off 2013

Hector Barea

hectorbarea@earthlink.net

Agenda

- Introduction to CAD
- CAD Options for FIRST Teams
 - PTC Software
 - Autodesk Software
- Examples
- Roundtable Discussion and Questions



Introduction to CAD

- Computer Aided Design
- Other applications besides robotics
- Is never to late to use CAD
- Plan for training in the off season
- Why use CAD?
 - www.youtube.com/watch?v=YNweJ7QbF7Y

CAD Options for FIRST Teams

- PTC Creo (formerly Pro/ENGINEER)
- Autodesk Inventor Professional
- Others
- Which program to use?

PTC Software

- www.ptc.com/company/community/first/
- Sign up and get FREE software
- Learn about PTC's offerings and training
 - Creo
 - Mathcad Prime
 - Windchill

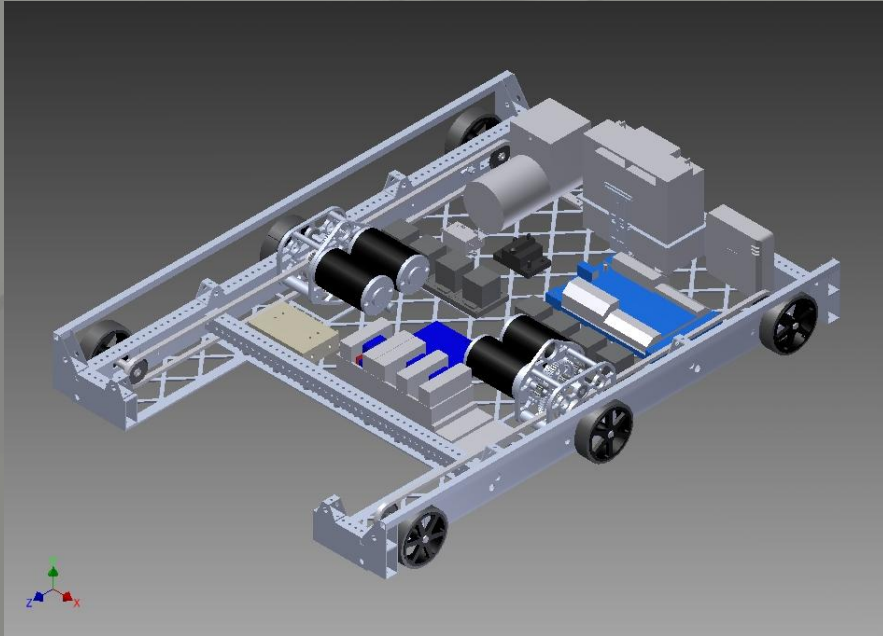
PTC Software

- PTC & FIRST site
 - <http://www.ptc.com/company/community/first/>
- Product Development
 - http://www.ptc.com/view?im_dbkey=133224
- Engineering Simulation
 - http://www.ptc.com/view?im_dbkey=133227
- Engineering Documentation
 - http://www.ptc.com/view?im_dbkey=133226
- Program Management
 - http://www.ptc.com/view?im_dbkey=133225

Autodesk Software

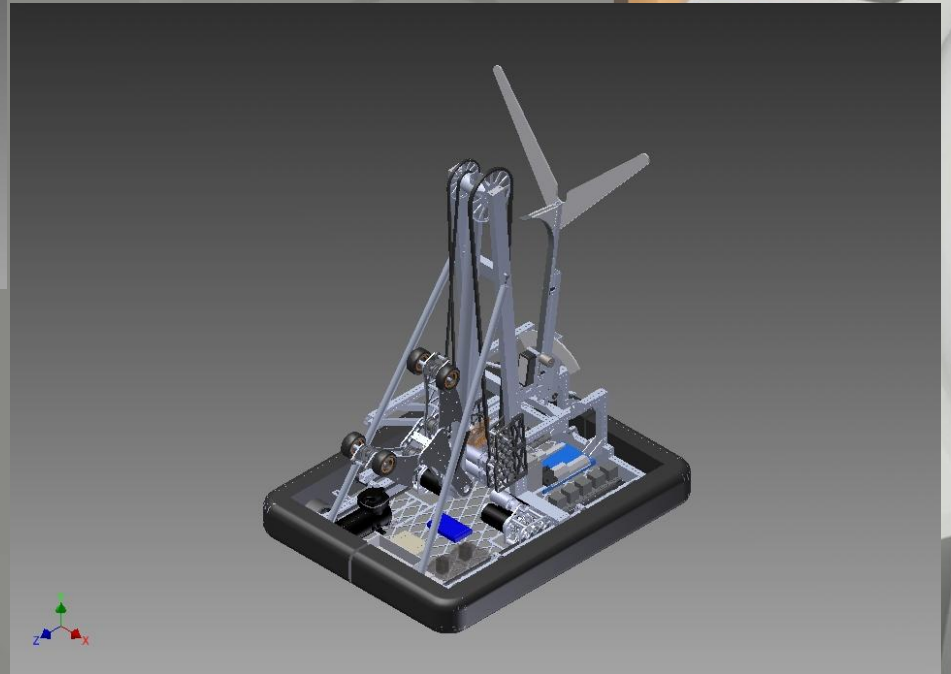
- http://students.autodesk.com/?nd=first_home
- Join the Autodesk Education Community
- Click on the free software tab
- Download Autodesk Inventor Professional 2013
- Over 30 computer programs available
- Click on the FRC 2012 Resources Tab
- Click on the Built by Design link

Examples

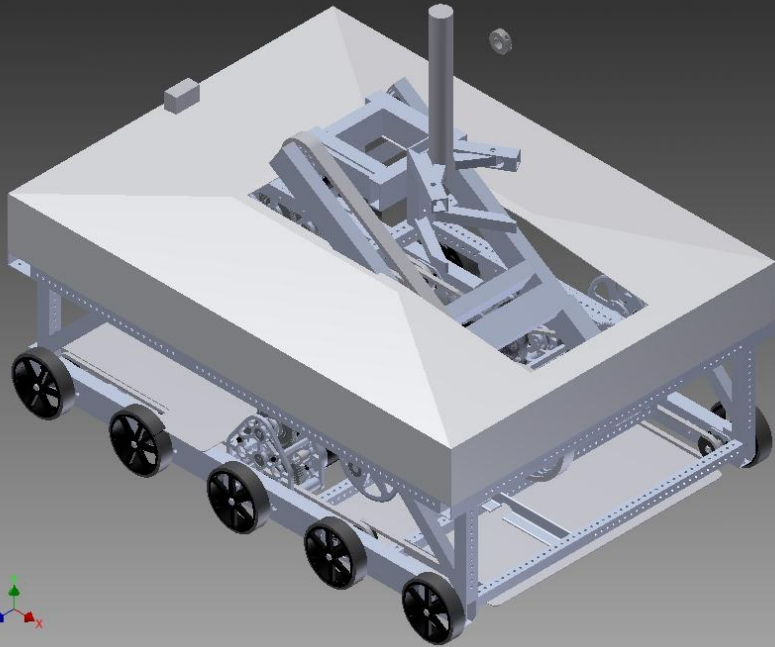


FRC973 2011 Prototype

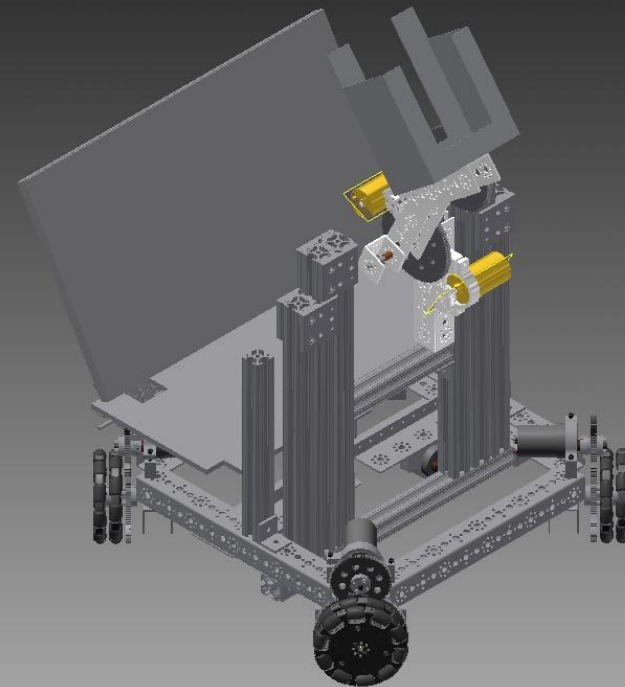
FRC973 2011 - TITAN



Examples



FRC973 2010 – the BOSS



FTC 5070 2012 -2013 Coconut

Roundtable Discussion and Questions

